

**Z1231-EZR CONCEALED ARM SYSTEM – FOR WALL LAVATORIES WITH ADJUSTABLE UPRIGHTS AND HEADER PLATES**



Patented

**ENGINEERING SPECIFICATION**

Zurn Z1231-EZR wall lavatory support system comes complete with Dura-Coated carbon structural steel rectangular tubing uprights, conforming to ASTM A500 Grade C, with welded base feet having slotted floor anchor holes. Lower and upper labor-saving plates are marked with an indexed ruler guide for accurate adjustability of upright spacing from 15" to 22". Individual slotted header plates provide 2" of additional horizontal adjustment per plate, allowing for a total horizontal adjustment range of 11" to 26". Includes Dura-Coated steel sleeves and cast iron concealed arms with leveling screws and soft set elastomeric locking devices. Uprights, labor-saver plates, and header plates are factory assembled for easy installation. Carrier system exceeds load and deflection requirements as outlined in ASME Standard A112.6.1M at all adjustment positions of the uprights and header plates.

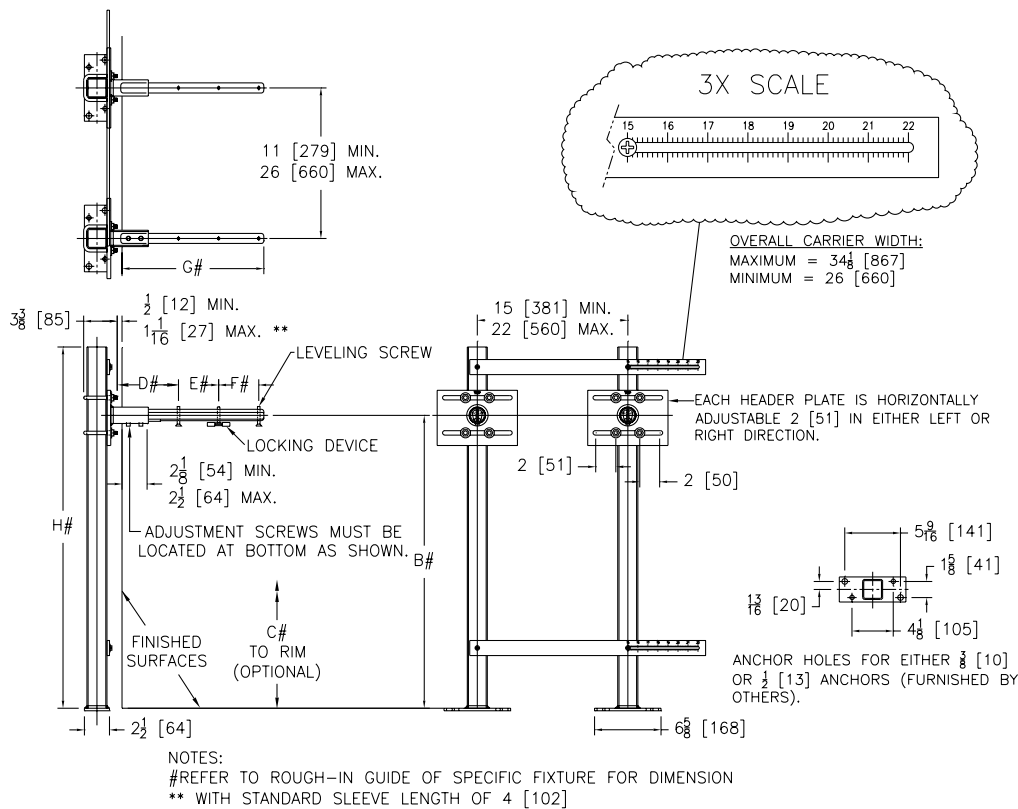
**NOTES**

Two diagonally spaced anchors per foot are required for correct installation.

Product Number	Approximate Weight lb [kg]
Z1231-EZR	45 [20]
Z1231-EZR-D	63 [29]

PREFIXES	DESCRIPTION	SINGLE	DOUBLE
<b>Z1231-EZR*</b>	Dura-Coated System with Support Plate	<b>1,455.00</b>	-
<b>Z1231-EZR-D</b>	Back-to-Back System	-	<b>2,156.00</b>
SUFFIXES		ADD	
<b>-AL</b>	Adapter Lug	<b>N/C</b>	<b>N/C</b>
<b>-D</b>	Back-to-Back System	<b>See Prefix Z1231-EZR-D</b>	
<b>-E2</b>	Concealed Arm Escutcheons 2" Long	<b>168.00</b>	<b>334.00</b>
<b>-WL</b>	Waste Line Sleeve	<b>POA</b>	<b>POA</b>
BEST SELLERS			LIST PRICE
Z1231-EZR-80-UNIV-36		<b>1,455.00</b>	
Z1231-EZR-81-UNIV-36		<b>1,455.00</b>	

Z1231-EZR (Single)



\*Regularly furnished unless otherwise specified.

For additional product information, please visit [www.zurn.com](http://www.zurn.com)

Items designated as Best Sellers are most specified and are generally in stock for shipment.

Ⓢ This symbol denotes a product that is engineered to reduce installation and rework time.

For Additional System Tools See "Z1200 Carrier Tools and Accessories" on page 214